

## CLSK-20M

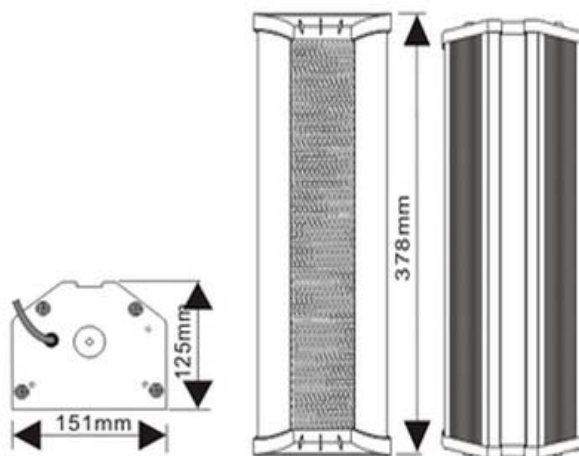
### Weatherproof PA System Music Column Speaker

#### Feature:

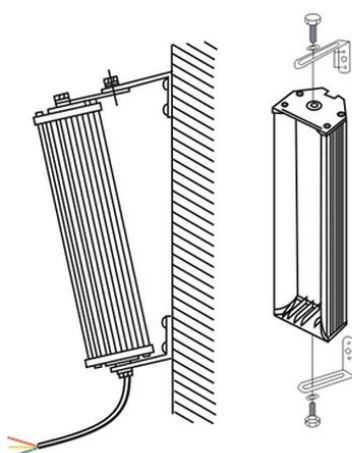
- ✓ Commercial public address (PA) system music & paging horn speaker with transformer
- ✓ Ideal for outdoor music and speech use in factory, school, office, hotel and airport
- ✓ Economy rang weatherproof outdoor PA music column speaker
- ✓ 4" full range waterproof woofer built-in outdoor column speaker
- ✓ Rated power output 20W at 100V
- ✓ Waterproof level of IP66
- ✓ Line input 100V or 70V by cable tail with waterproof gland
- ✓ Aluminum alloy enclosure and stainless metal bracket in gray
- ✓ Quick installation by supplied stainless mounting bracket



#### Dimension & Side View:



#### Mounting Guidance:



# CLSK-20M

## Weatherproof PA System Music Column Speaker

### Specification:

<b>Model</b>	<b>CLSK-20M</b>
<b>Description</b>	Weatherproof PA System Music Column Speaker
<b>Rated Power Output</b>	20W
<b>Speaker</b>	4" full range PP waterproof woofer
<b>Line Input</b>	100V or 70V
<b>Frequency Response</b>	100-15KHz
<b>SPL(@1W/m)</b>	92dB
<b>IP Rate</b>	IP66
<b>Connector</b>	By speaker cable tail with waterproof gland
<b>Dimension</b>	378(W) × 151(D) × 125(H)mm
<b>Material</b>	Aluminum alloy enclosure and stainless metal bracket in gray
<b>Mounting Way</b>	Quick installation by supplied stainless mounting bracket
<b>Net Weight</b>	2.9kg
<b>Carton Qty</b>	2 PCS
<b>Packaging</b>	410(W) × 320(D) × 160(H)mm, 8kg

### Frequency Response & Impedance Diagram:

